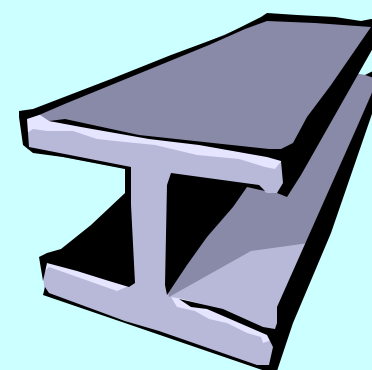




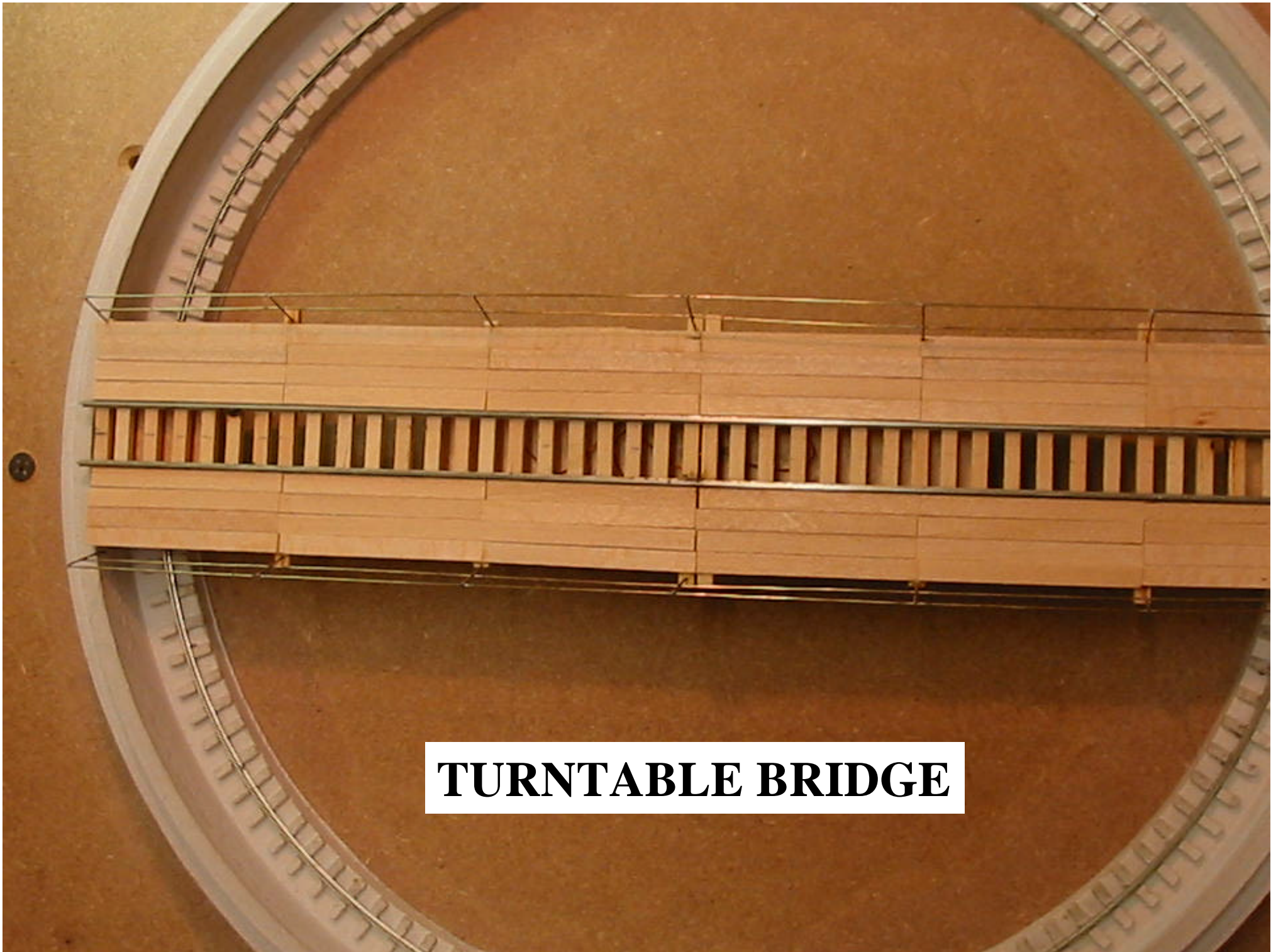
BUILDING A SIMPLE TURNTABLE DRIVE







**DIAMOND SCALE
TURNTABLE**

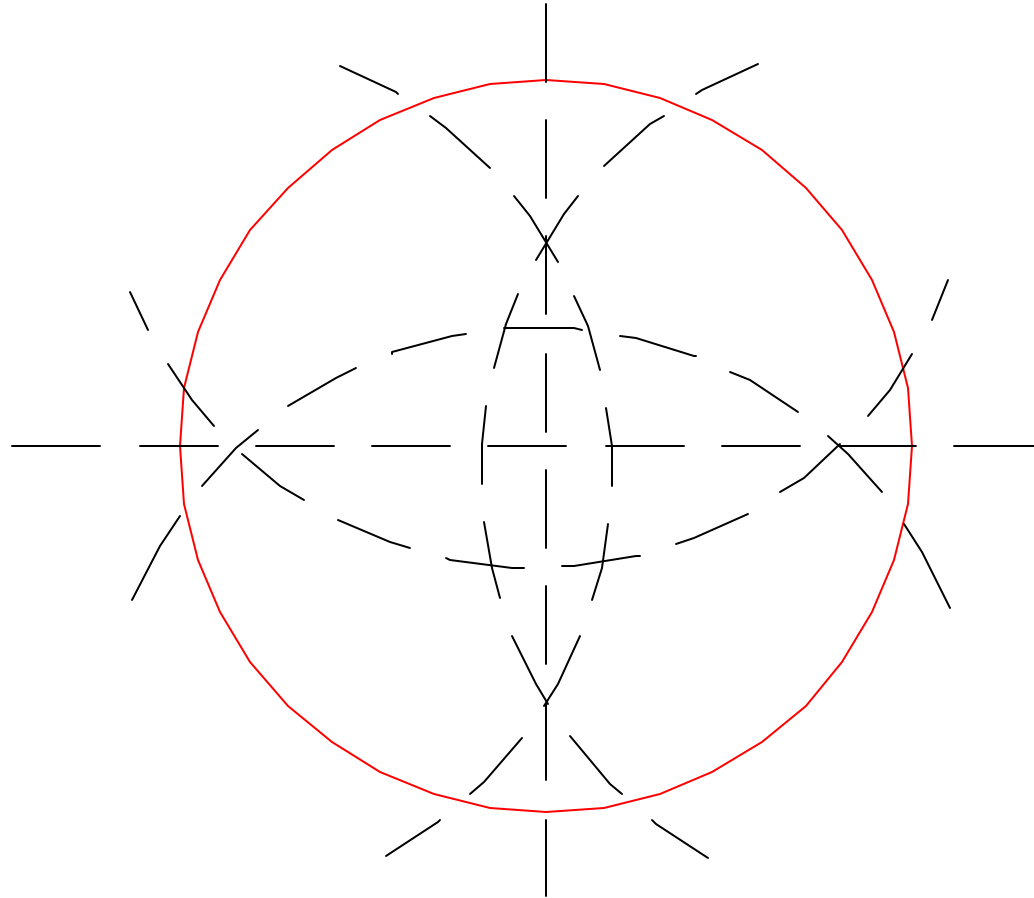


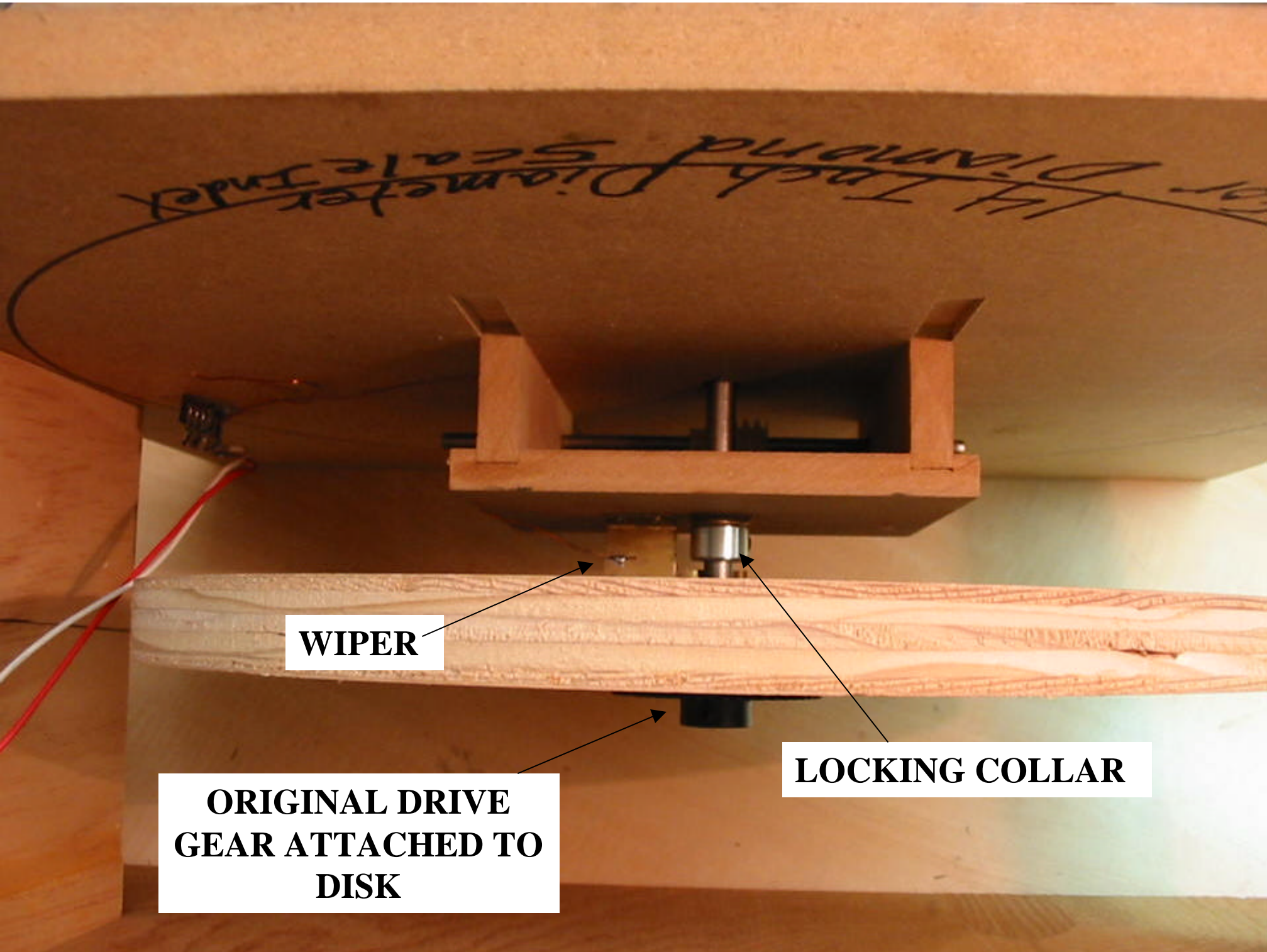
TURNTABLE BRIDGE

Materials

- Turntable (kit or pre-assembled)
- Dremel sanding drum
- Switchmaster motor
- Wooden disk (from Home Depot)
- 1" pull spring
- 1/4" Square brass tube
- 3/16" brass tube – bearings
- 5/32" brass tube – drive shaft
- 5/16" brass tube - pivot
- 2" x 1/8" screw and nut – anchor for pull spring
- 1/8" flat washers
- 4" x 1/4" carriage bolt and nut
- 1/4" flat washers
- DPDT switch center off (Spring return type)
- 12VDC power supply

CIRCLE CENTER





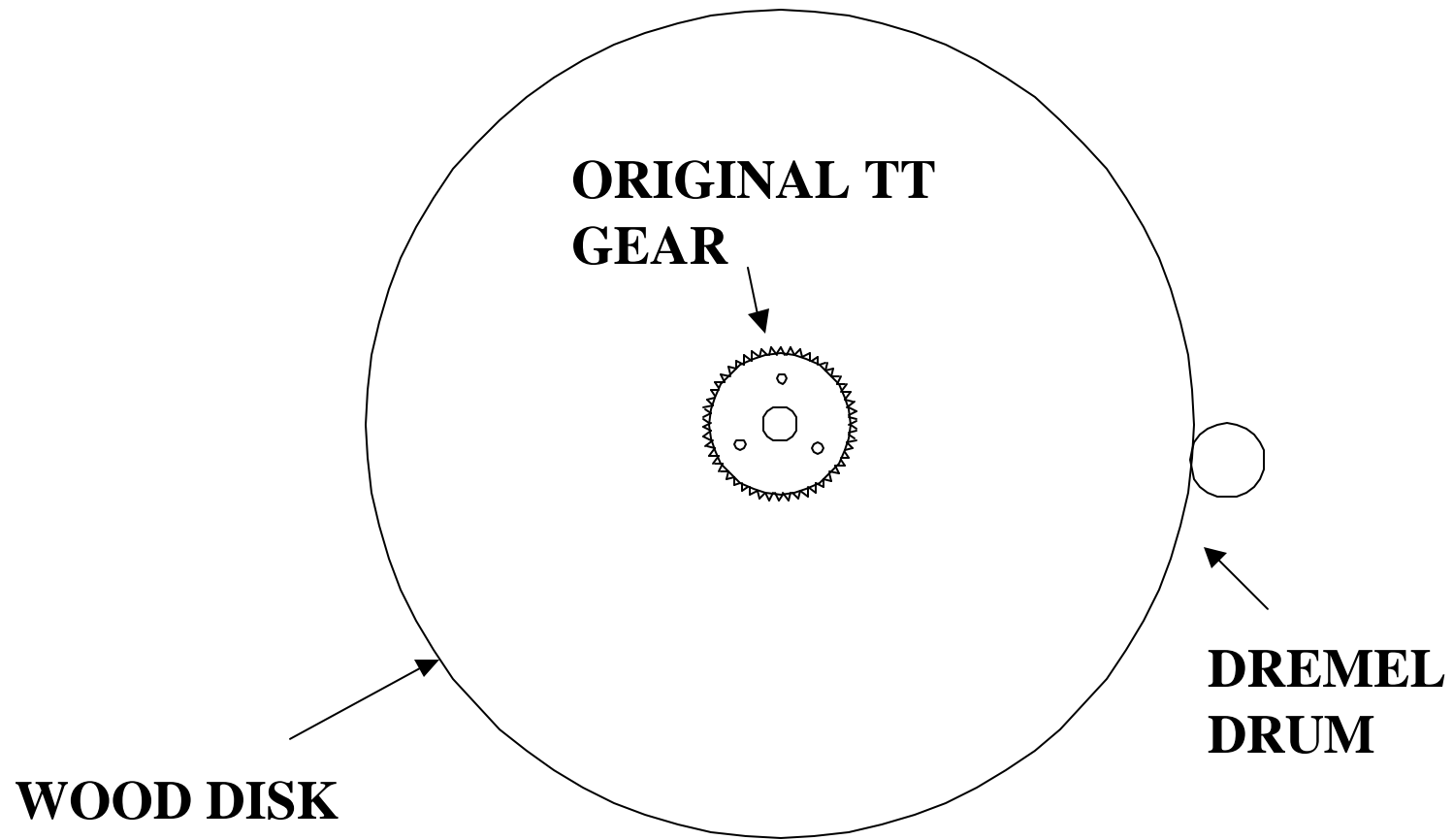
1/4 Inch Diameter Scale Index

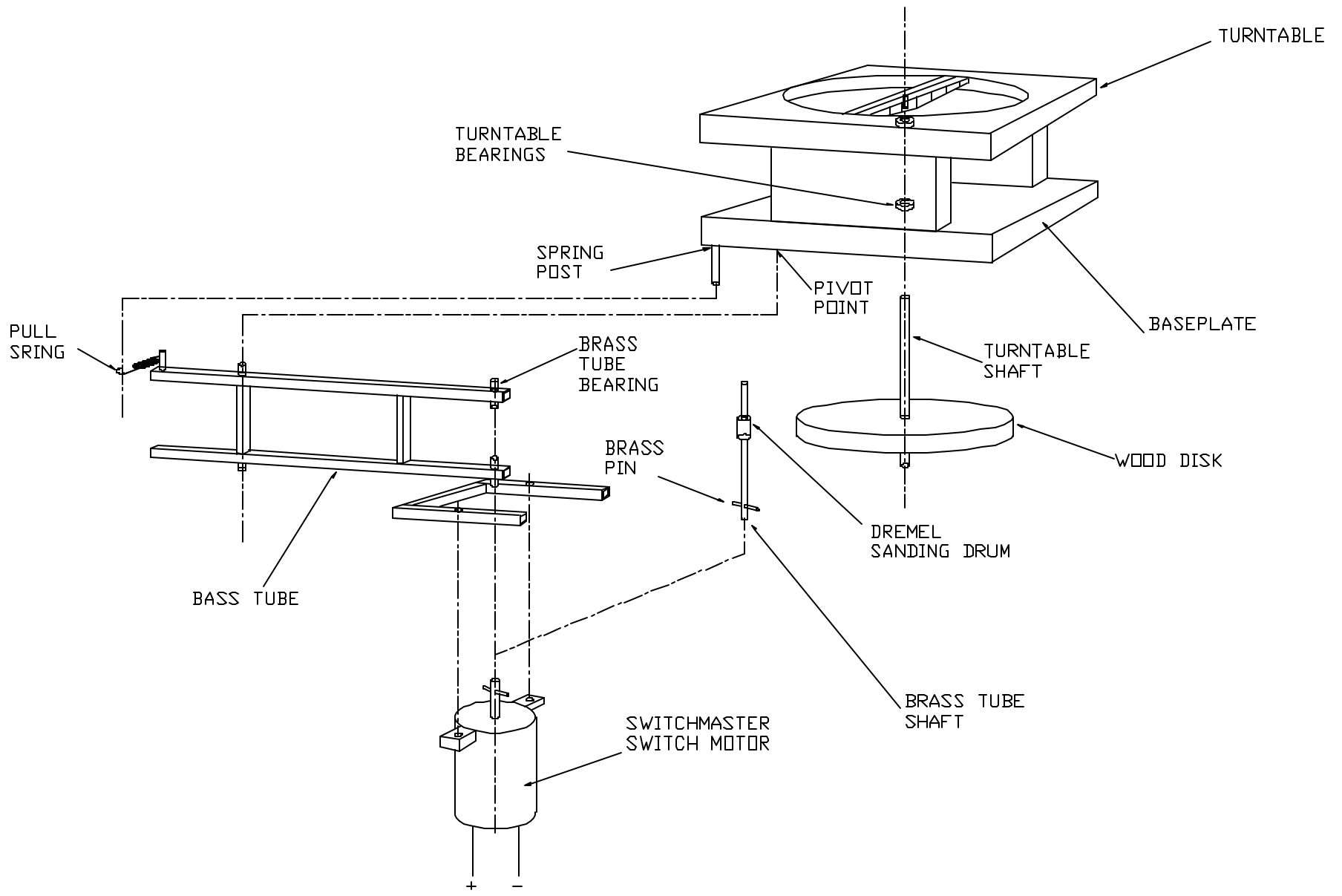
WIPER

**ORIGINAL DRIVE
GEAR ATTACHED TO
DISK**

LOCKING COLLAR

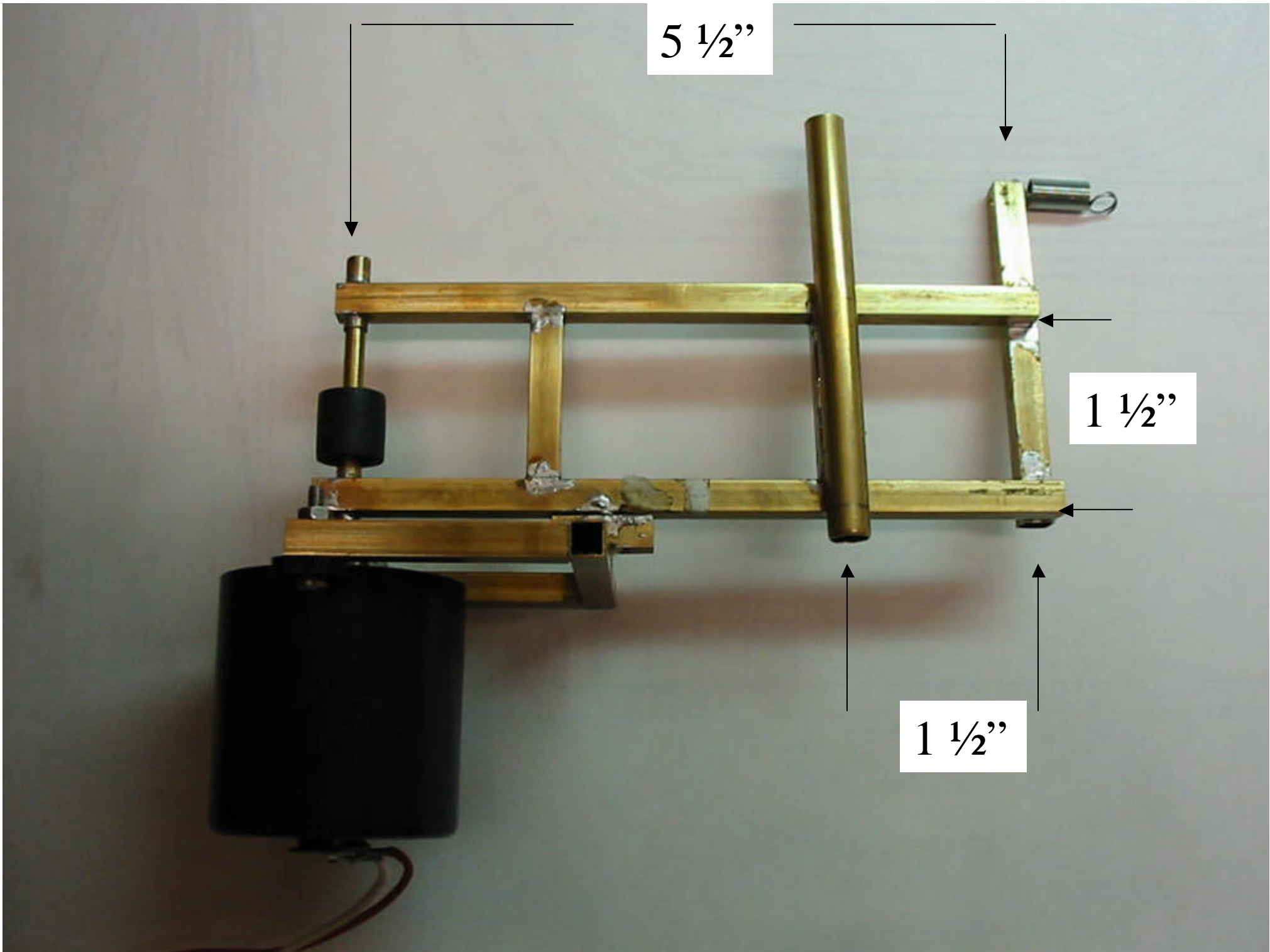
GEAR REDUCTION





**REVISED (HOME-MADE)
SOLDERING IRON TIP**



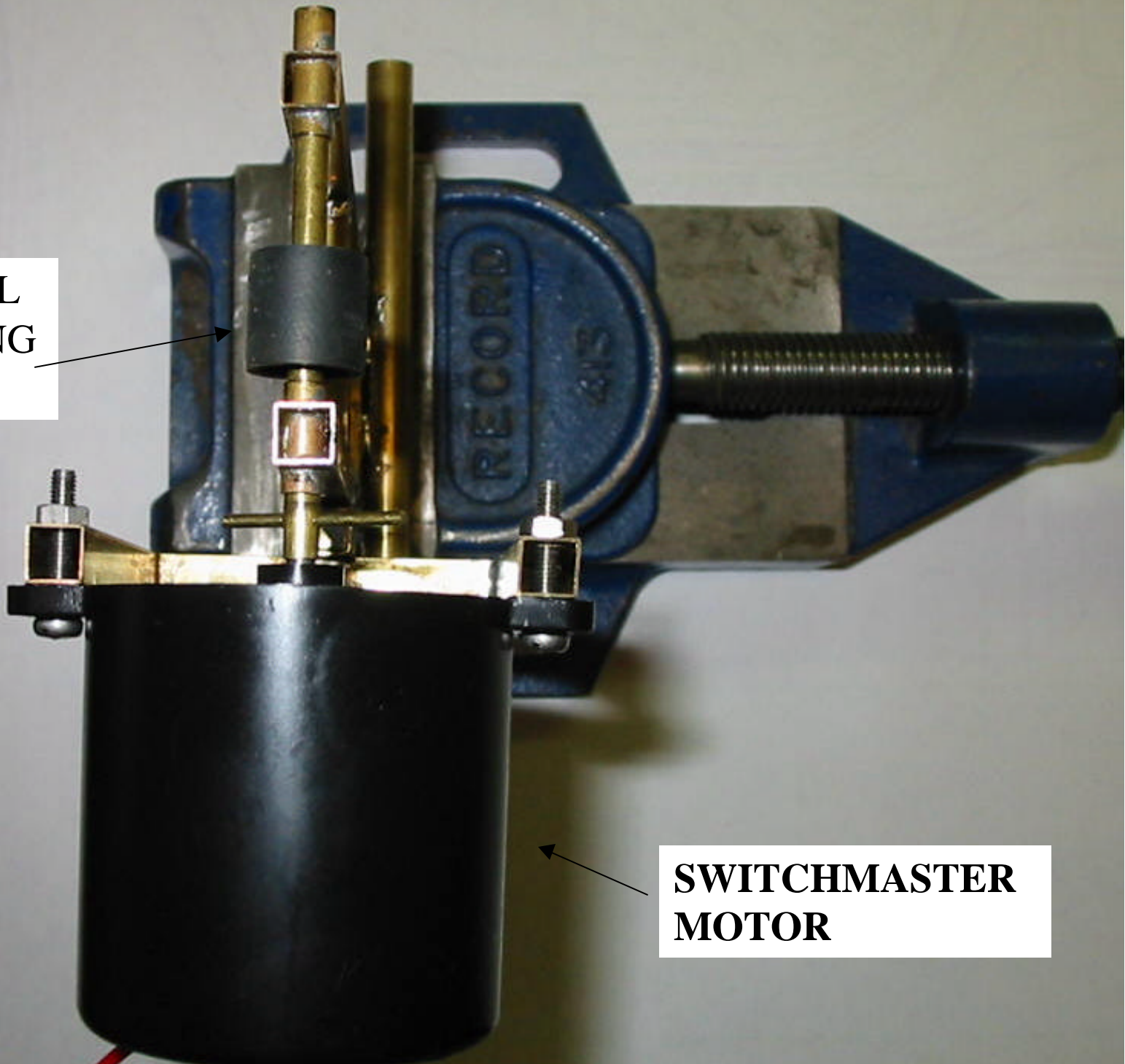


5 1/2"

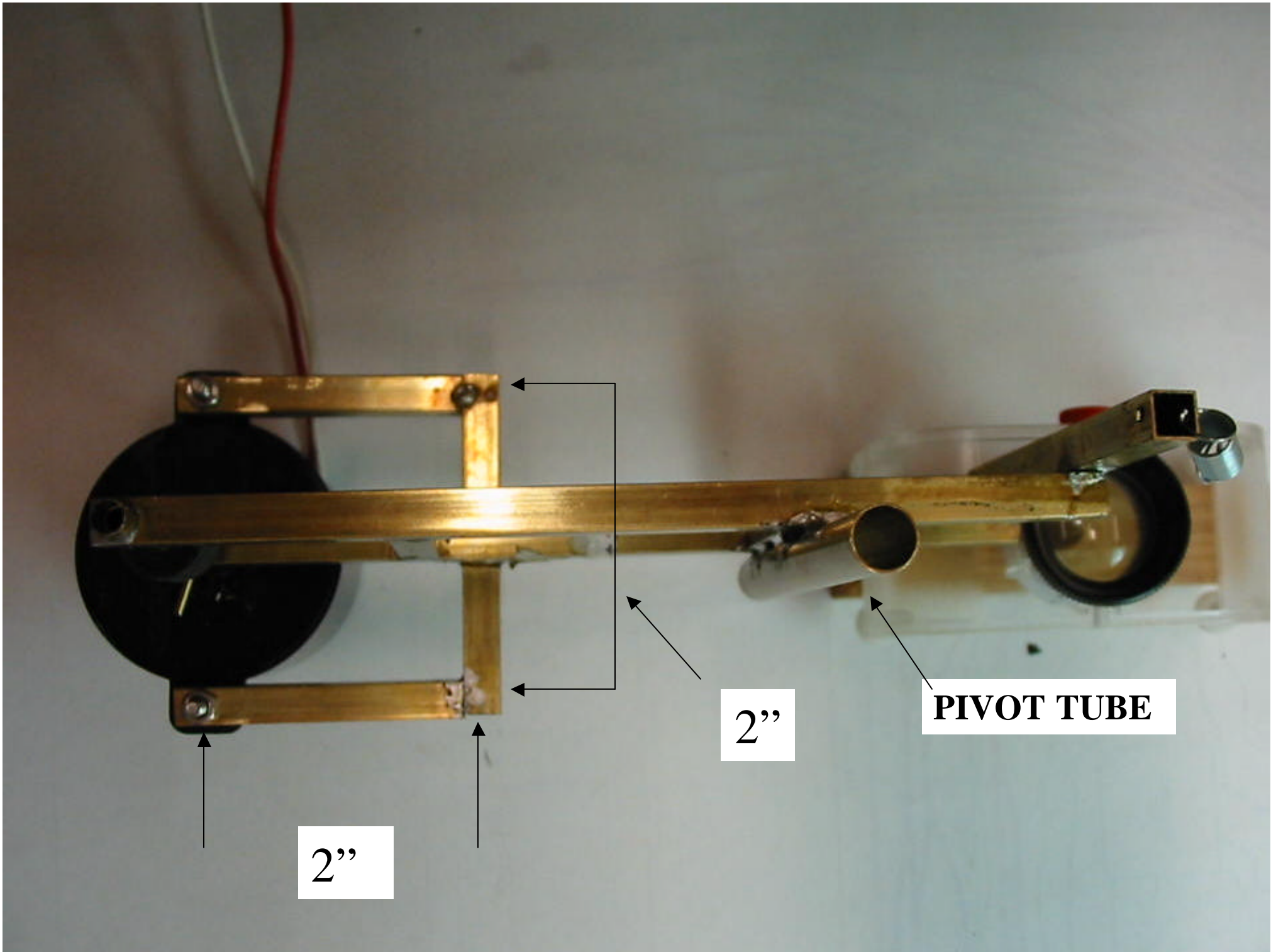
1 1/2"

1 1/2"

**DREMEL
SANDING
DRUM**



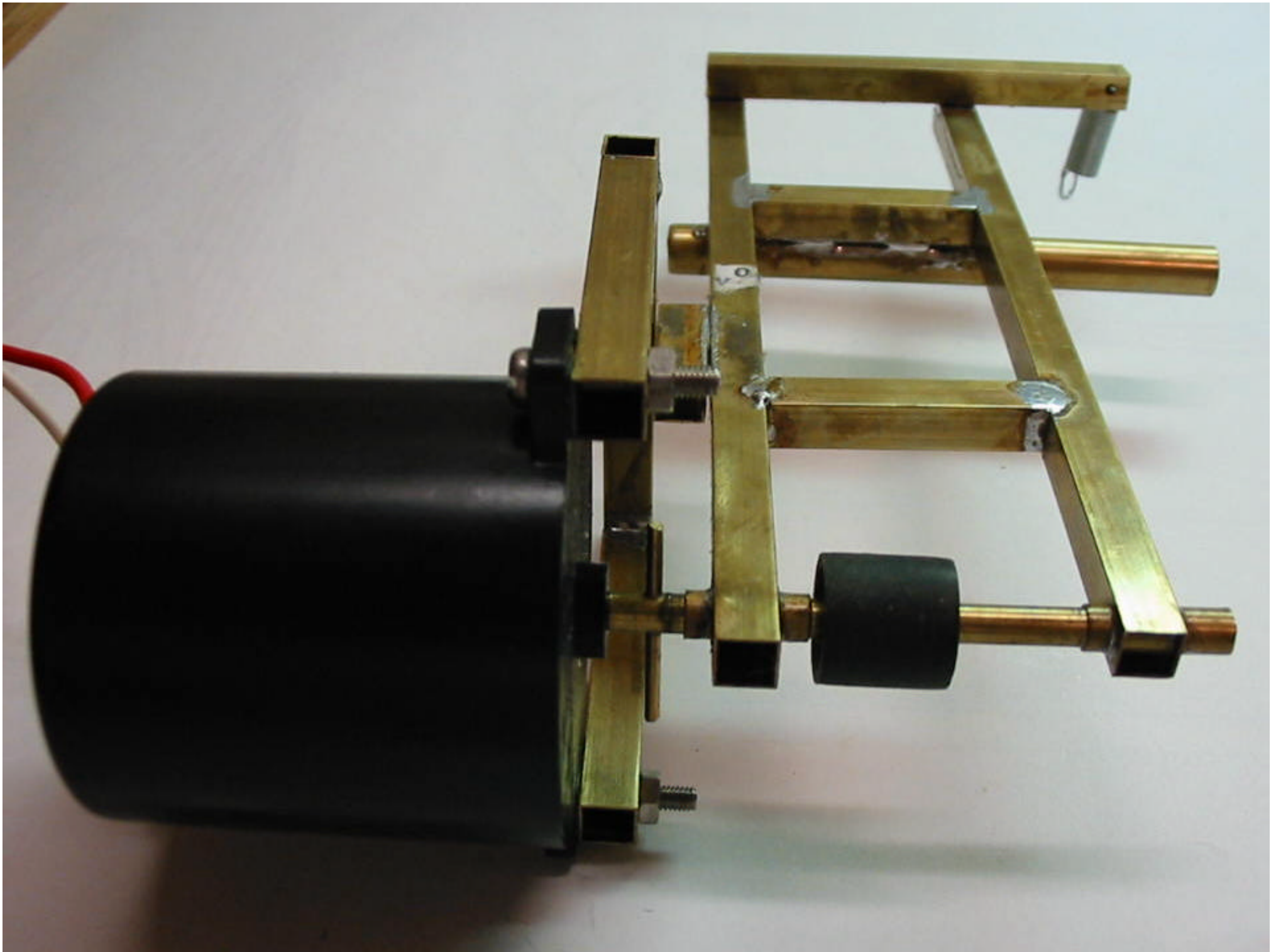
**SWITCHMASTER
MOTOR**

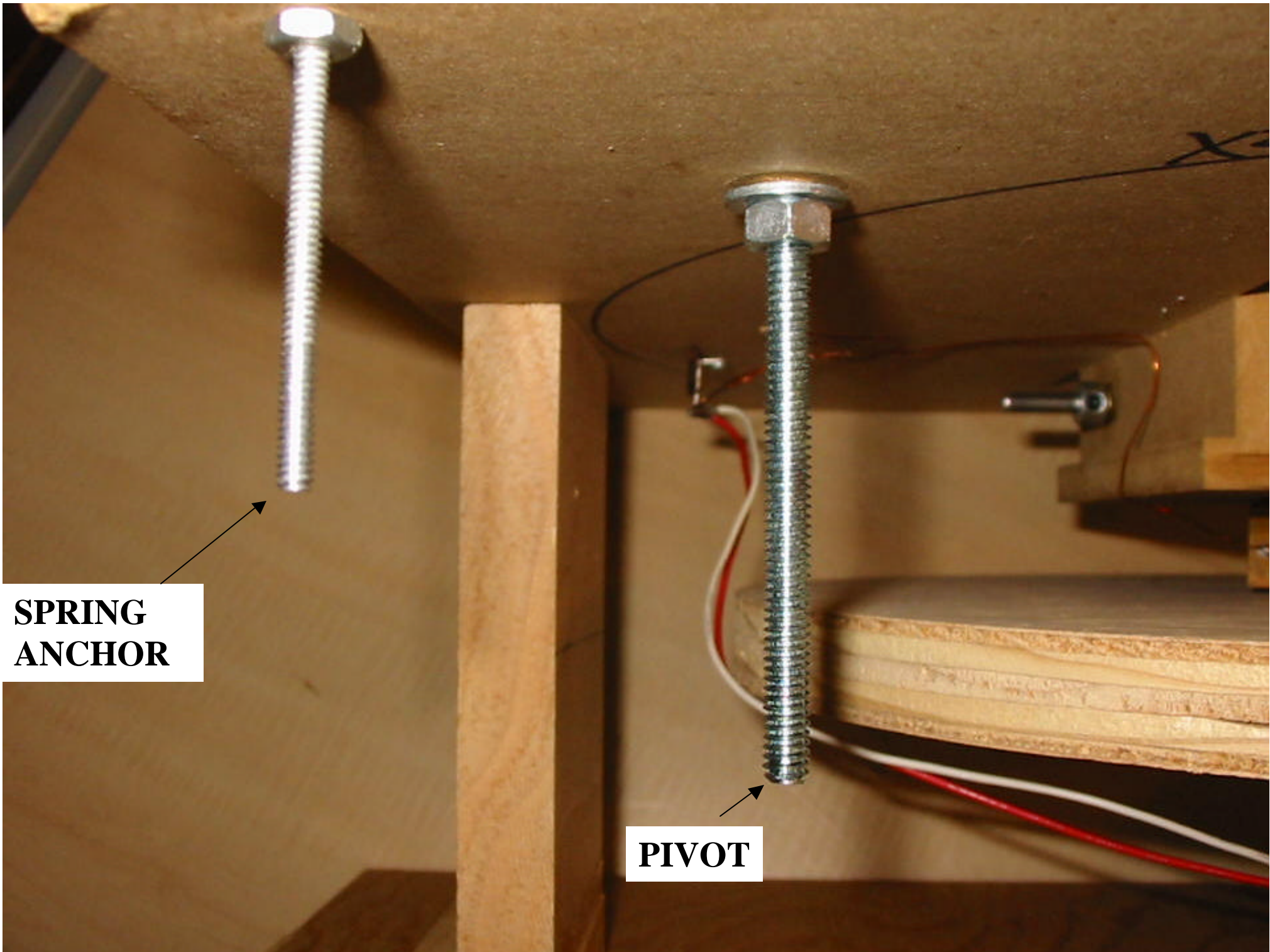


2"

2"

PIVOT TUBE

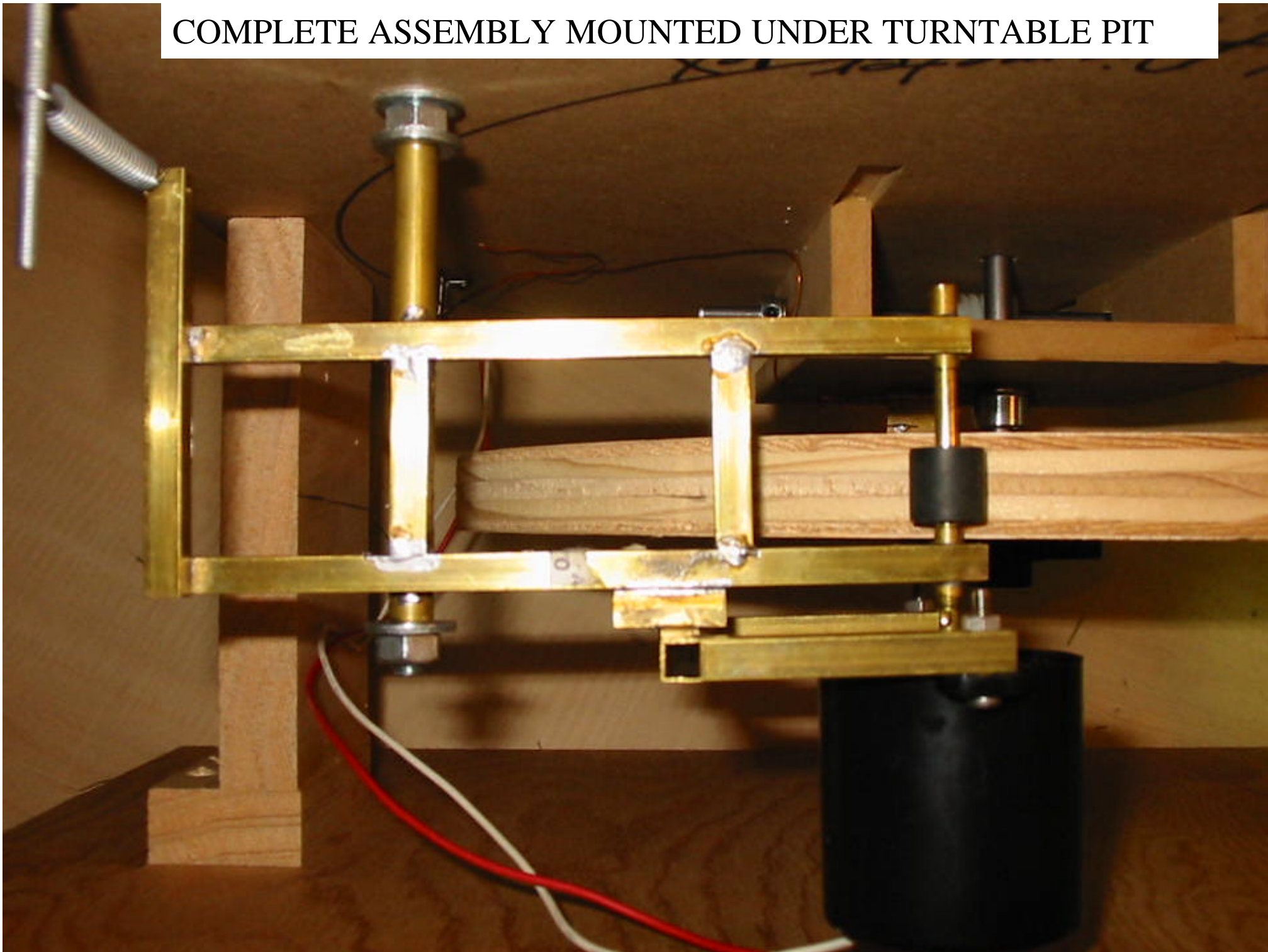




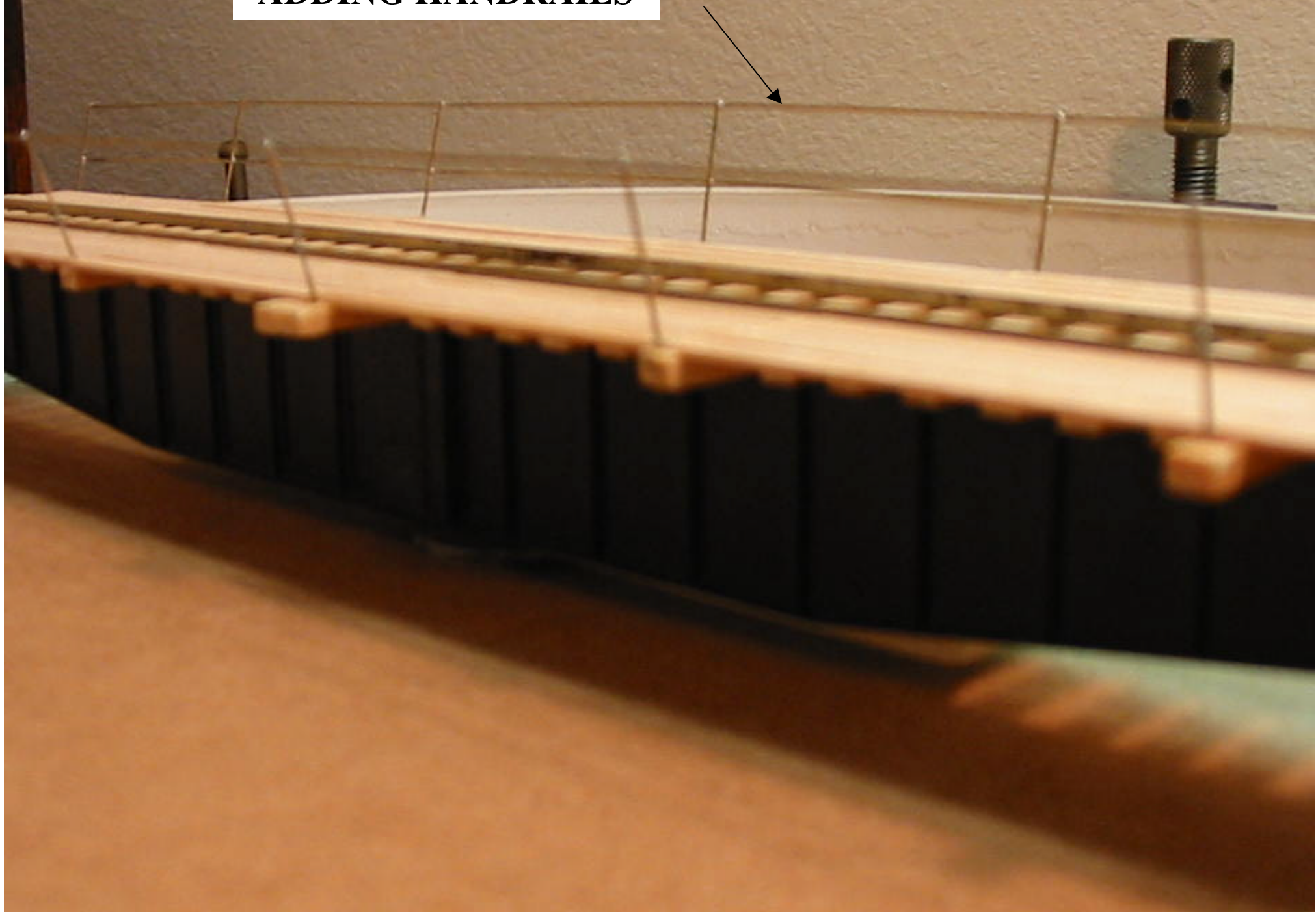
**SPRING
ANCHOR**

PIVOT

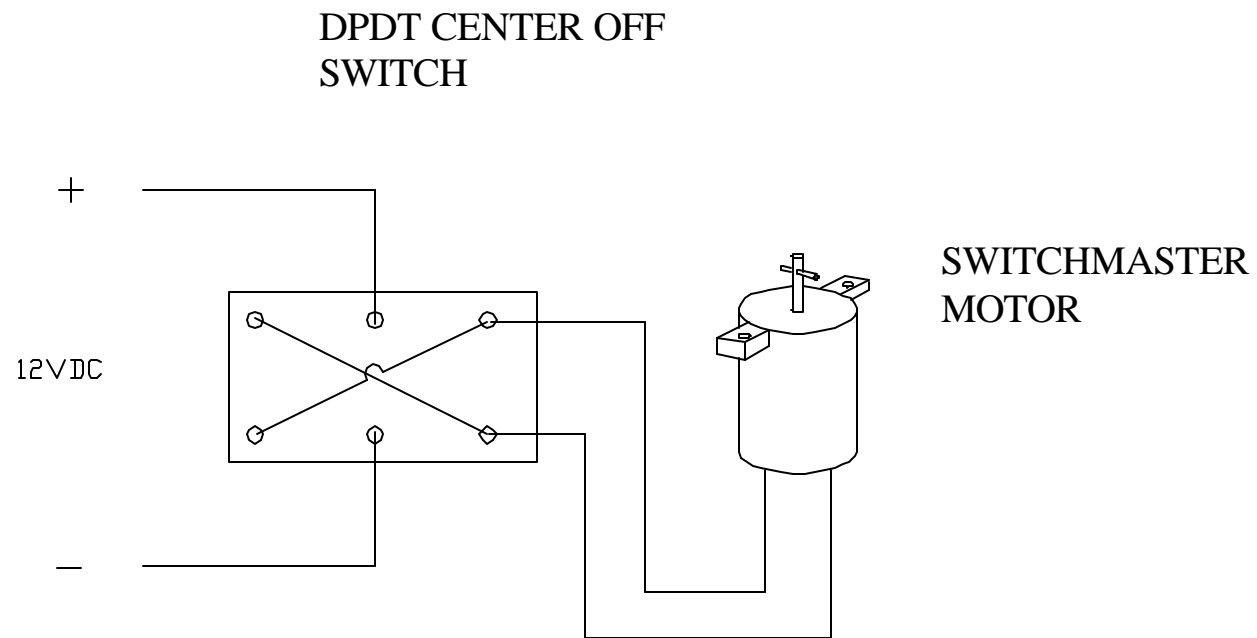
COMPLETE ASSEMBLY MOUNTED UNDER TURNTABLE PIT



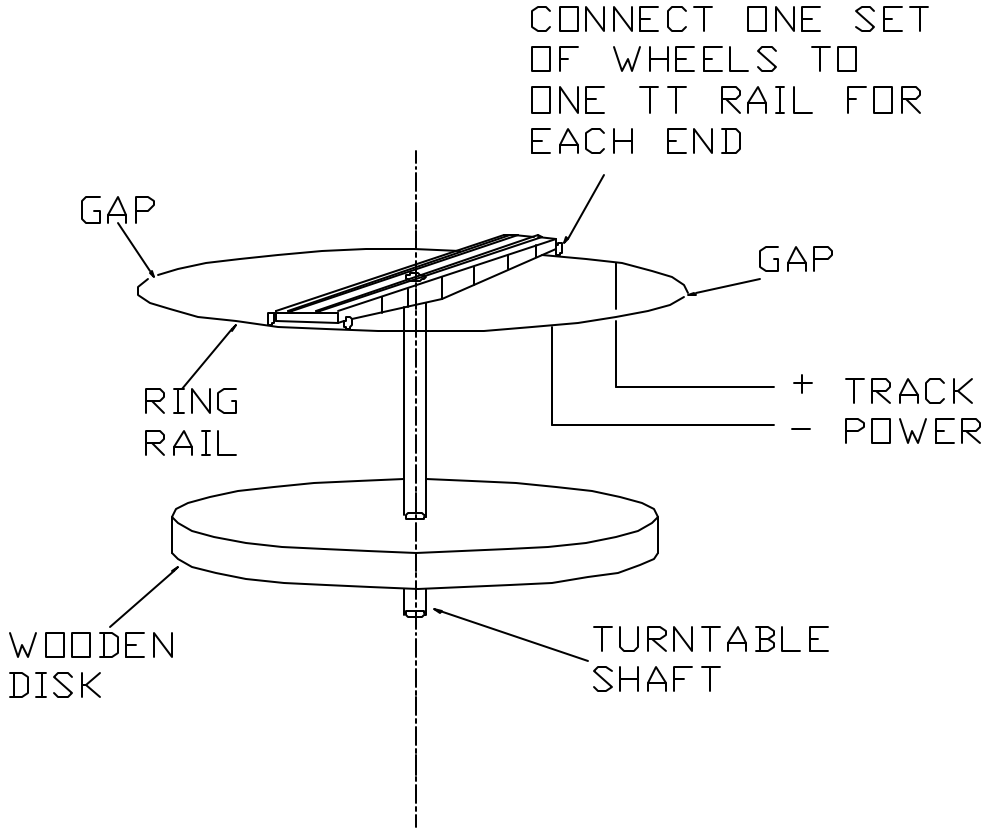
ADDING HANDRAILS



WIRING WIRING YOUR DRIVE



BRIDGE RAIL WIRING





HAVE FUN

